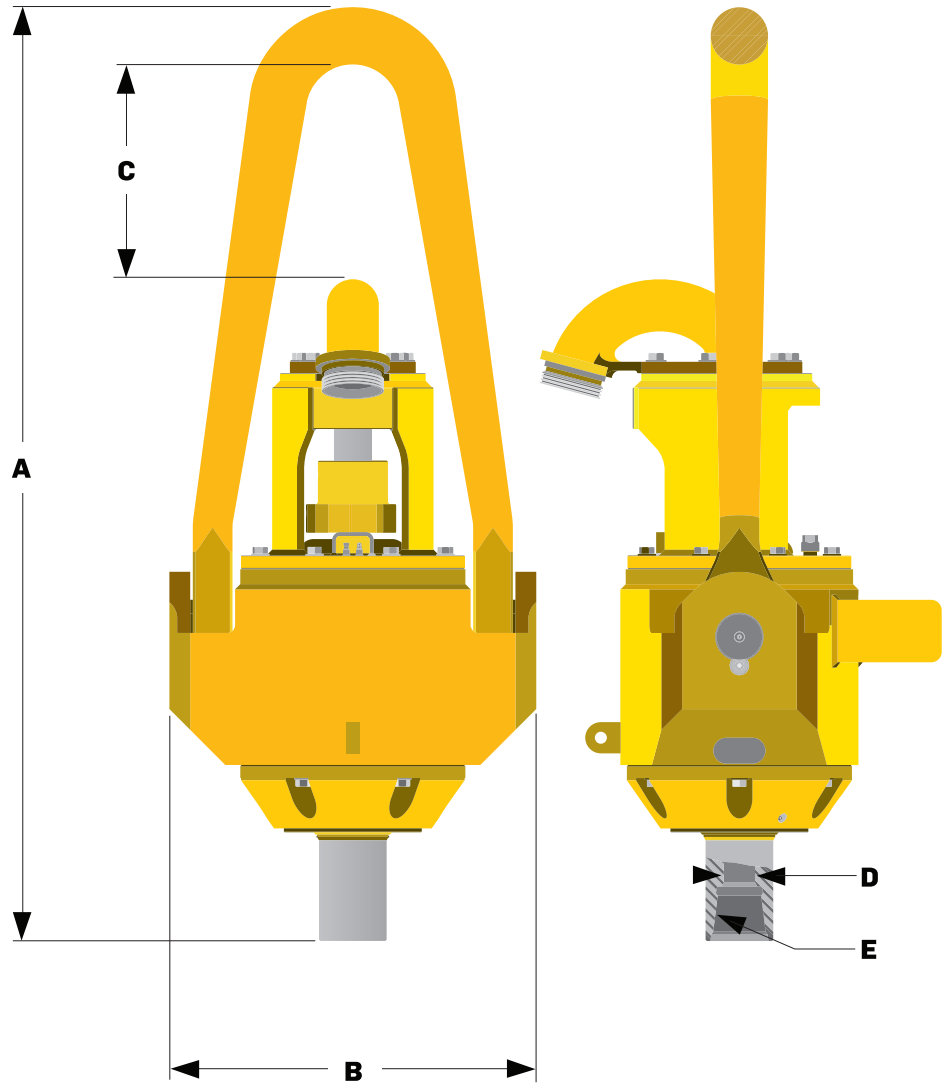


- ▶ Manufactured for conventional or top drive drilling
- ▶ One piece forge alloy bail
- ▶ Quick change washpipe (standard)
- ▶ Saver subs (optional)



MODEL	Capacity	A (in./mm.)		B (in./mm.)		C (in./mm.)		D (in./mm.)		E (in./mm.)		Working Pressure	Weight (lbs./kg.)	
A-150	150	87.81	2230	34.25	870	19.56	497	3	76	4 1/2-FH	5000	3200	1452	
A-200	200	87.88	2232	34.25	870	19.56	497	3	76	4 1/2-FH	5000	3200	1452	
A-250	250	89.50	2273	35.25	895	20.69	525	3	76	5 1/2-FH	5000	3900	1769	
A-300	300	94.75	2407	35.25	895	20.69	525	3	76	5 1/2-REG	5000	3900	1769	
A-400	400	99.06	2516	38.50	978	21.88	556	3	76	6 5/8-REG	5000	5100	2313	
A-500	500	101.25	2572	41.25	1048	22.69	576	3	76	7 5/8-REG	5000	6100	2767	
A-600	600	122.50	3112	55.50	1410	37.38	949	3	76	7 5/8-REG	5000	11500	5216	
		122.50	3112	55.50	1410	27.50	699	4	102	7 5/8-REG	7500	11500	5216	
A-750	750	122.50	3112	55.50	1410	27.50	699	4	102	8 5/8-REG	7500	11500	5216	