



250 HMIS 475 TopDrive



A compact top drive for small mast applications

The HMIS top drive system is the most compact offering in the TESCO top drive line.

Designed to fit into small masts, the HMIS provides the performance and pipe handling features required for shallow drilling and workover applications.

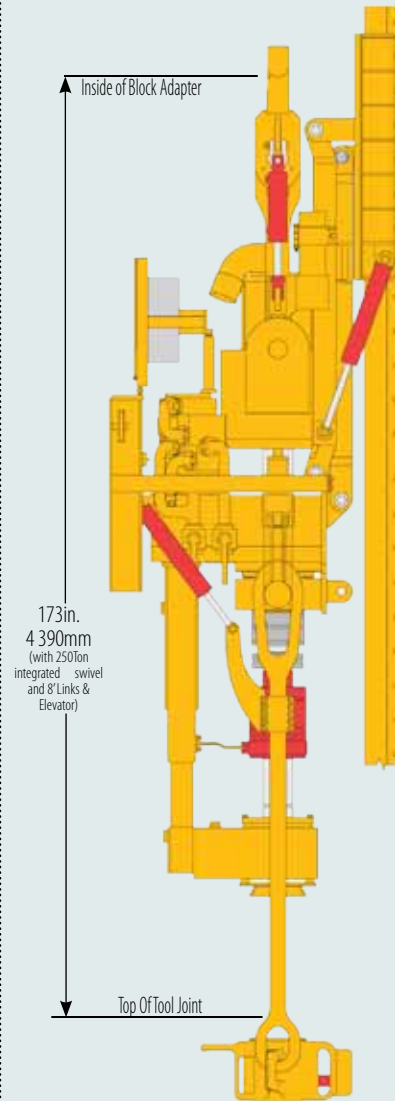
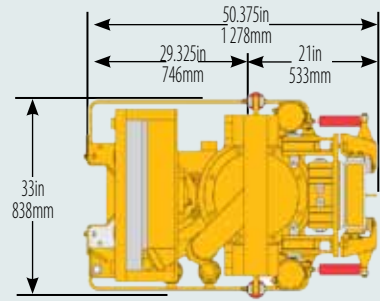
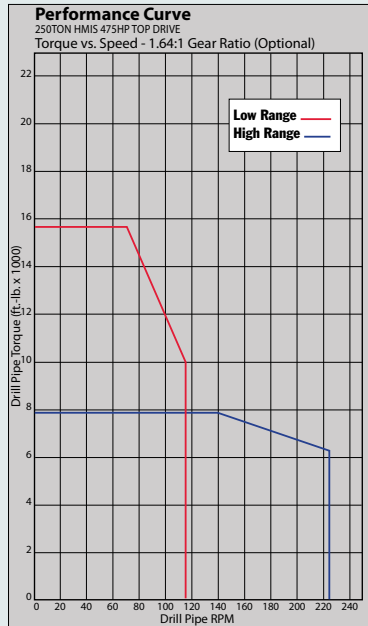
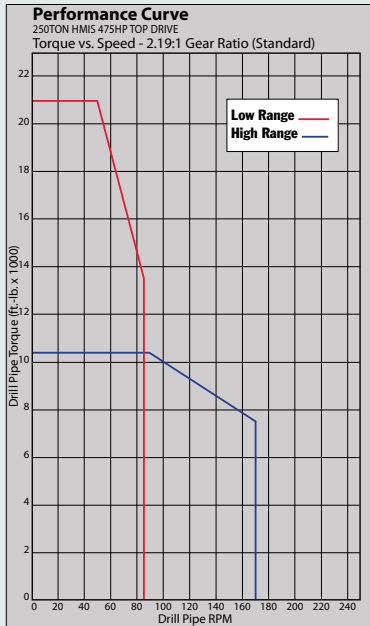
TESCO powers the HMIS using industry proven prime movers and its own series of hydraulic pump drives and filtration system.

The HMIS top drive is rated for 250 ton casing loads.

Alternate quill performance (torque and speed) can be configured using optional gear ratios and hydraulic motor displacements.

Optional Advantages:

- The complete system including the top drive, torque system and power unit can be installed in less than one day. In most cases, no rig modifications are necessary.
- The HMIS can be equipped with an independent diesel, AC or DC traction motor drive.
- The HMIS offers all critical pipe-handling functions including elevator link-tilt, and an extend/retract feature (54 in.) for making mousehole connections at eye level. The HMIS grabber acts as a back-up tong for making or breaking connections. The grabber will accommodate tool joints from 2-3/4 in. to 6-5/8 in. OD.



Specifications

250TON HMIS 475HP (with integrated swivel)	Imperial	Metric
Rated Capacity	250ton	227tonne
Rated Input Power	475HP	336kW
Estimated Weight with swivel	8,000lbs.	3 628kg
Operating Length (including 8ft. links & elevators)	173in.	4 390mm
Width	33in.	838mm
Max. Continuous Drill Torque	21,000ft.-lb.	2 847daN-m
Make-up Torque	21,000ft.-lb.	2 847daN-m
Breakout Torque	23,500ft.-lb.	3 195daN-m
Max Speed	170RPM	170RPM
Quill ID	2.25in.	57mm.

Power System

Weight - (approximate)	16,200lbs.	7 370kg
Length - (with hose reel)	281in.	7 200mm
Width	56in.	1 400mm

Top Drive Notes:

Weight includes top drive, integrated swivel and torque bushing. The top drive can be fitted with an optional 1.64:1 gear ratio.

Power Unit Notes:

Other power units are available including a Caterpillar 3406E, AC induction motor or a high output DC traction motor drive. Power unit and workshop containers are also available.

All specifications are subject to change without notice.

Asia Pacific

Jakarta, Indonesia
Email: APBU_sales@tescocorp.com

China

Chaoyang District, Beijing
Email: CHINA_sales@tescocorp.com

Europe/Russia

Moscow, Russia
Email: EURO_sales@tescocorp.com

Latin America

Mexico City, Mexico
Email: LABU_sales@tescocorp.com

Middle East & Africa

Dubai, UAE
Email: MABU_sales@tescocorp.com

United States / Canada

Houston, Texas / Calgary, Alberta
Email: NABU_sales@tescocorp.com

