



TESCO[®]

750 ESI Top Drive

2012	750 Ton ESI	
2010	500 Ton ESI	
2009	750 Ton ECIX	
2007	250 Ton HXI	
2006	350 Ton EXI	
2005	150/250 Ton EMI	
2004	100 Ton T-100	
2001	250 Ton EMI	
1999	500/650 Ton HCI	
1997	150/250 Ton HMI	
1996	500/650 Ton ECI	
1996	500 Ton HC	
1992	350/500 Ton HS	
1990	100 Ton HS	



**TESCO's 750 ESI
AC Electric Top Drive**
Superior performance and
reliability from 20 years
of industry innovation.

The latest generation TESCO top drive has been developed to meet the demanding requirements of today's highly complex drilling programs with an eye to an even more demanding future. The 750 ESI produces class leading torque output from a compact unit featuring an integrated swivel, a disc brake, and pipe handling robotics. What else would you expect from the world's largest specialty top drive company.

Benefits Include:

- Integrated Gear Box Swivel – Safer, easier, and faster to rig up and out.
- Portable – Quickly and easily, use the same top drive on multiple drilling rigs.
- Integrated Disc Brake System – Greater control for directional drilling.
- Industry Standard VFD Technology – “Integration Ready” on existing drilling rig electrical power systems.
- Service – TESCO is the world leader in top drive service with over 50 locations in 6 continents and 35 countries.

ESI - Electric Super Integrated • ECIX - Electric Compact Integrated Xtreme • HXI - Hydraulic Xtreme Integrated • EXI - Electric Xtreme Integrated • EMI - Electric Mini Integrated • T-100 Hydraulic • HCI - Hydraulic Compact Integrated • HMI - Hydraulic Mini Integrated • ECI - Electric Compact Integrated • HC - Hydraulic Compact • HS - Hydraulic Standard

750 ESI Top Drive Specifications

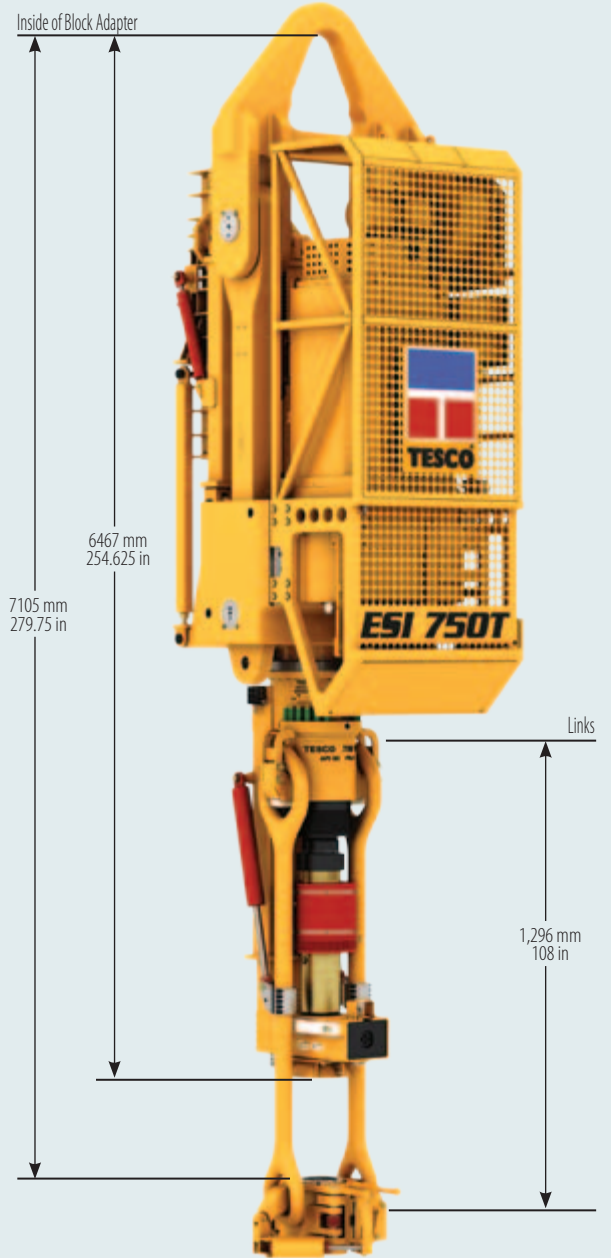
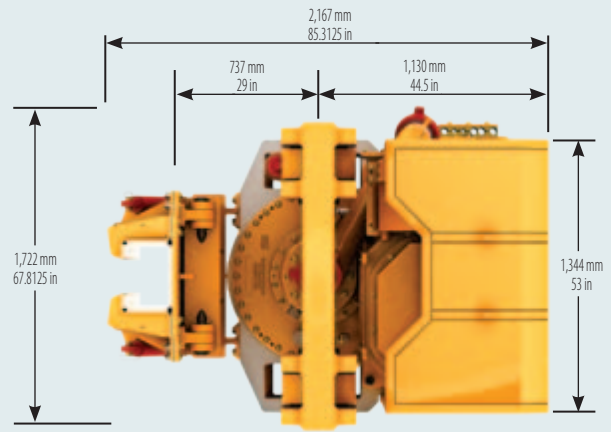
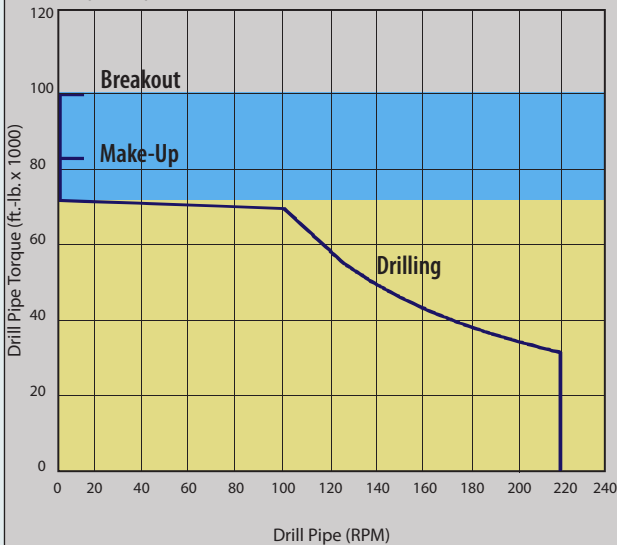
Hoisting Capacity	750 ton / 680.4 tonne
Horsepower Rating	1,350 hp / 1,007 kW
Maximum Continuous Drilling Torque	72,000 ft-lb / 9,762 daN-m
Breakout Torque	100,000 ft-lb / 13,558 daN-m
Make-Up Torque	84,000 ft-lb / 11,388 daN-m
Maximum Operating Speed	220 rpm
Water Course Inner Diameter	4.0 in / 101.6 mm
Weight	40,000 lbs / 18,143.7 kg (estimated)
Length	279.75 in / 7,105 mm
Width	67.8125 in / 1,722 mm

Rig Supply Voltage: 600 VAC +/- 2%

Rig Supply Frequency: 50/60 Hz +/- 5%

Rig Supply Amperage: 1600 Amps (minimum)

Performance Curve
750 ESI TOP DRIVE
Torque vs. Speed - 8:1 Gear Ratio



All specifications are subject to change without notice.

Asia Pacific

Jakarta, Indonesia
Email: APBU_sales@tescocorp.com

China

Chaoyang District, Beijing
Email: CHINA_sales@tescocorp.com

Europe/Russia

Moscow, Russia
Email: EURO_sales@tescocorp.com

Latin America

Mexico City, Mexico
Email: LABU_sales@tescocorp.com

Middle East & Africa

Dubai, UAE
Email: MABU_sales@tescocorp.com

United States / Canada

Houston, Texas / Calgary, Alberta
Email: NABU_sales@tescocorp.com

